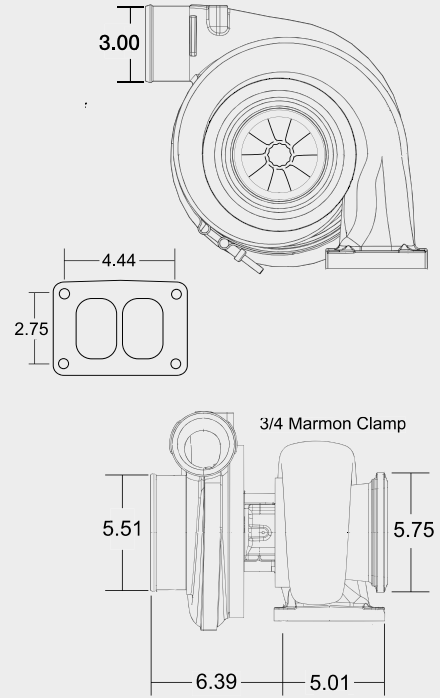


S400SX4

750 - 1250 HP Turbo



TURBO FRAME DIMENSIONS



FEATURES

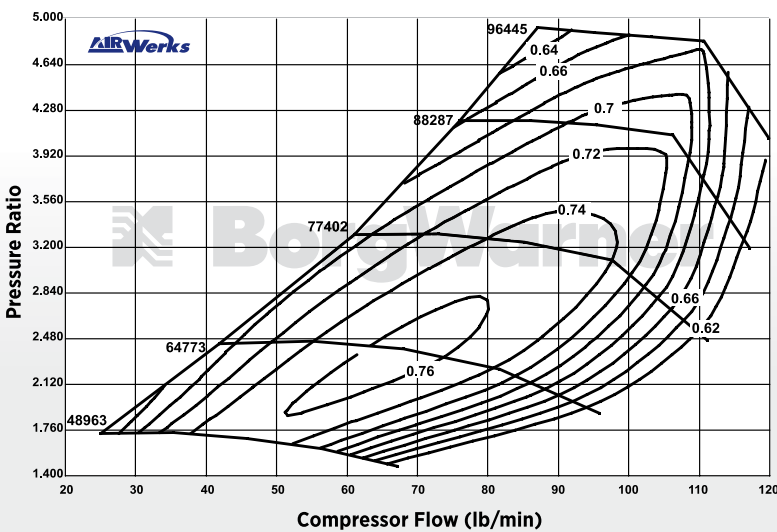
- Twin hydrodynamic journal bearings
- Extended tip technology compressor wheel
- Twin scroll turbine housing
- Adjustable compressor and turbine housing orientation
- Compressor cover recirculation grooves



Turbo Part #	Comp. Wheel O.D. (in)	Comp Wheel O.D. (mm)	Comp Wheel Inducer Dia. (in)	Comp Wheel Inducer Dia. (mm)	Turbine Wheel O.D. (in)	Turbine Wheel O.D. (mm)	Turbine Wheel Exducer (in)	Turbine Wheel Exducer (mm)	Turbine Housing A/R	Cartridge Assembly	Service Kit (Standard)	Service Kit (360° thrust bearing)
177287	4.32	109.73	3.16	80.30	3.77	95.70	3.47	88.05	1.32	176654	176391	14007110003

COMPRESSOR MAP

Comp. Wheel Inducer Dia. (mm) 80.30
Comp. Wheel Outer Dia. (mm) 109.73



TURBINE HOUSING

Part #	A/R	Inlet Configuration	Notes
14961019007	1.15	Volute, Twin Flow T6 Inlet	96mm Turbine Wheel
171698	1.32		
14961016101	1.45		
14961016100	1.58		