

K04-2075

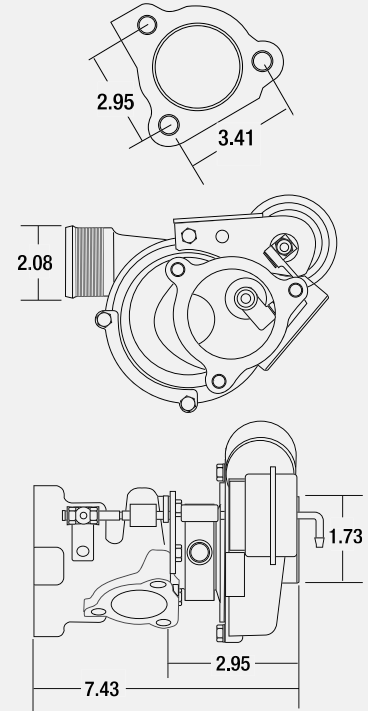
220 HP Turbo



FEATURES

How about a BorgWarner AirWerks K04 series performance upgrade turbo, developed specifically for Audi and VW 1.8 liter engines? This upgrade option can enhance engine performance as much as 15%. Ultimate output may vary depending on prior engine condition, fuel settings and other supporting performance components. Only qualified companies and tuner shops should attempt to make performance modifications to the engine and the vehicle.

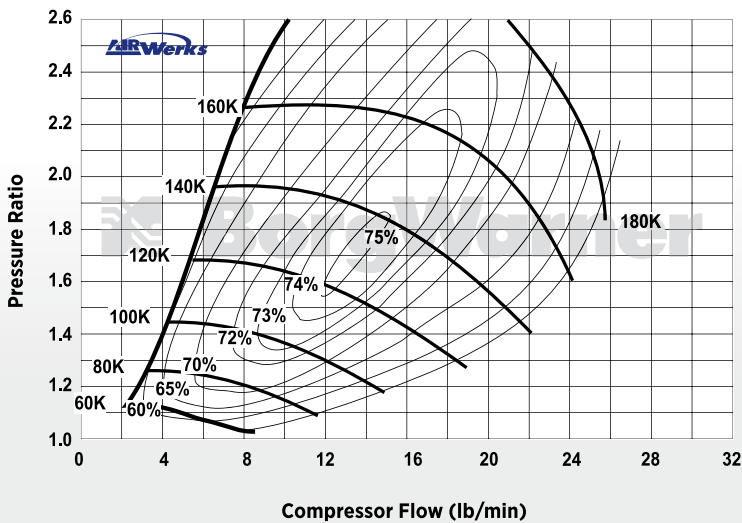
TURBO FRAME DIMENSIONS



Turbo Part #	Comp. Wheel O.D. (in)	Comp. Wheel O.D. (mm)	Comp Wheel Inducer Dia. (in)	Comp Wheel Inducer Dia. (mm)	Turbine Wheel O.D. (in)	Turbine Wheel O.D. (mm)	Turbine Wheel Exducer (in)	Turbine Wheel Exducer (mm)	Turbine Area	Cartridge Assembly	Service Kit
5304 988 7500	1.97	50.04	1.48	37.60	1.81	46	1.65	42	4 cm ²	5304 710 0503	5303 711 0000

COMPRESSOR MAP

Comp. Wheel Inducer Dia. (mm) 37.60
Comp. Wheel Outer Dia. (mm) 50.04



VEHICLE APPLICATION DATA

Application Model	Model Year	Engine Spec	Rated HP
Audi A4 A6 / 1.8T	95-99	1.8 liter 5-Valve, Inline	220
Passat	96-99	1.8 liter 5-Valve, Inline	220