



A TURN AHEAD OF THE COMPETITION

Garrett G40-900 (62mm) | G40-1150 (71mm) Turbochargers



G series turbochargers feature the latest innovations in turbocharger technology. Advanced compressor and turbine aero provide a wide range of performance boosting solutions for 2.0L - 6.0L engine platforms. Offered in standard rotation, with V-band and T4 twin scroll inlet turbine housing configurations making it easy to select the right turbocharger for your application.

Garrett
ADVANCING MOTION

A TURN AHEAD OF THE COMPETITION

Garrett G40-900 | G40-1150 Turbochargers

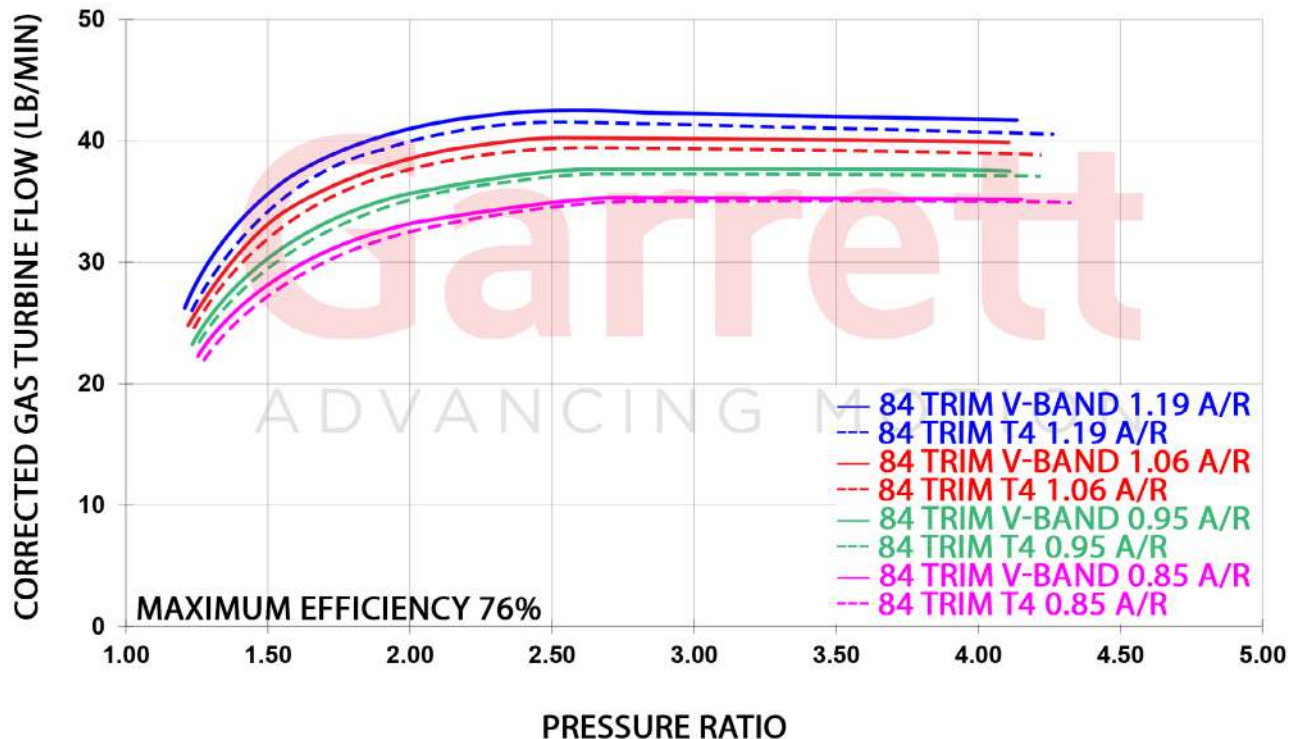


Features:

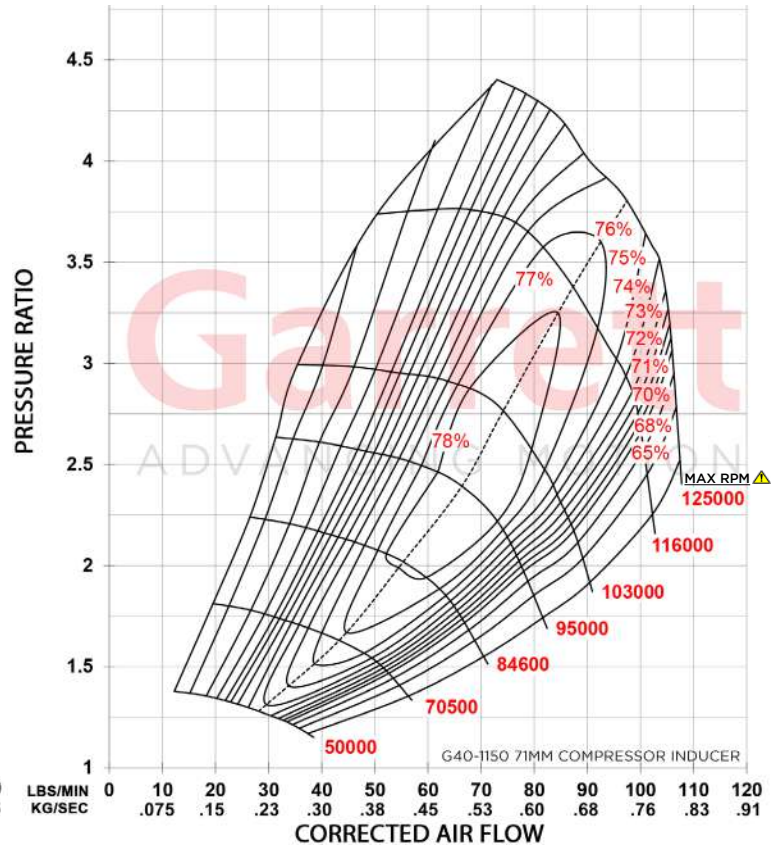
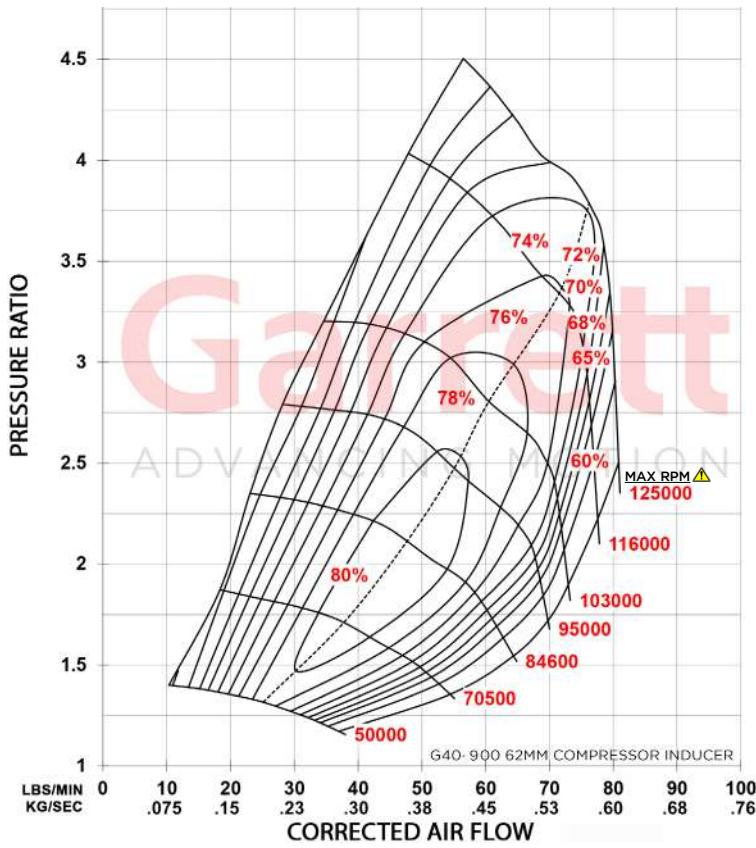
- G Series compressor aero increases flow up to 32% (compared to GTX4088R)
- 62mm and 71mm compressor inducer sizes
- Dual ceramic ball bearing with steel cages
- G Series turbine aero increases flow 16% (compared to GTX4088R)
- Inconel turbine wheel with 77mm inducer flows up to 43 lbs/min
- Lightweight aluminum backplate
- Fully machined speed sensor and pressure ports
- Water fittings included with super core
- Stainless steel turbine housings with V-Band and T4 twin scroll inlet
- T4 turbine housing outlet V-Band dimension (117.4mm | 4.622" OD) is equal to existing GTX42, GTX45 and G42 models

G40-900 Reference Data		Compressor				Turbine		
HP: 500-900	Disp: 2.0L-6.0L	Inducer	Exducer	Trim	A/R	Inducer	Exducer	Trim
PN: 860777-5003S		62mm	88mm	51	0.80	77mm	70mm	84
G40-1150 Reference Data		Compressor				Turbine		
HP: 500-1150	Disp: 2.0L-6.0L	Inducer	Exducer	Trim	A/R	Inducer	Exducer	Trim
PN: 860777-5002S		71mm	88mm	65	0.80	77mm	70mm	84
G40 Turbine Housing Kits		Turbine Kit PN	A/R	Inlet	Outlet	Wastegate	Divided	
Super core and turbine kit sold individually		757707-0027	0.85	V-Band	V-Band	Free Float	N	
		757707-0028	0.95	V-Band	V-Band	Free Float	N	
		757707-0029	1.06	V-Band	V-Band	Free Float	N	
		757707-0030	1.19	V-Band	V-Band	Free Float	N	
		757707-0032	0.85	T4	V-Band	Free Float	Y	
		757707-0033	0.95	T4	V-Band	Free Float	Y	
		757707-0034	1.06	T4	V-Band	Free Float	Y	
		757707-0035	1.19	T4	V-Band	Free Float	Y	

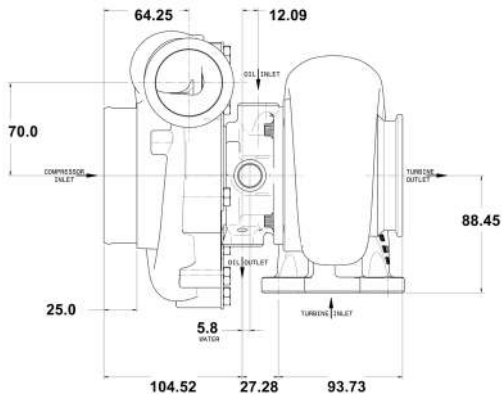
EXHAUST FLOW CHART



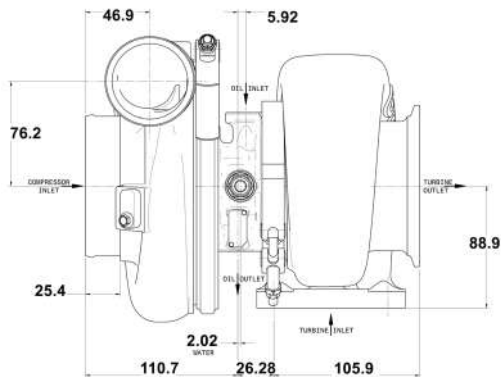
COMPRESSOR MAP



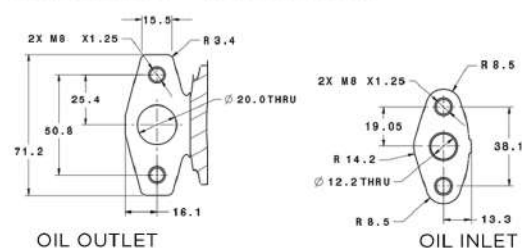
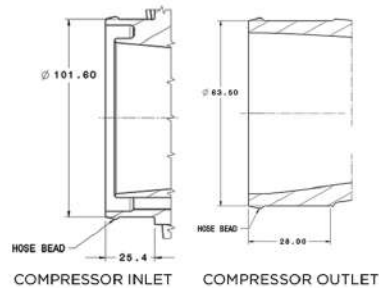
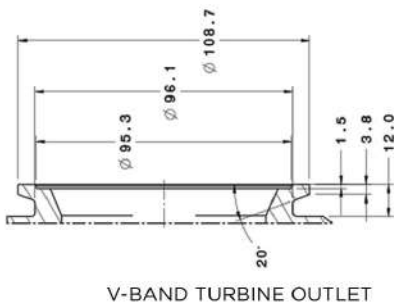
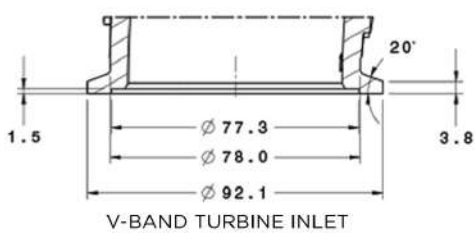
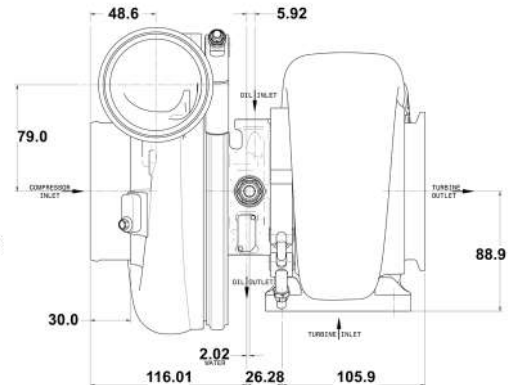
GTX4088



G40-900 G40-1150



G42-1200 Compact



WATER
M14 X 1.50
-6AN FITTING CONNECTION

