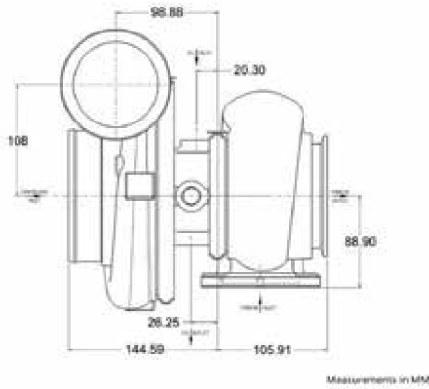


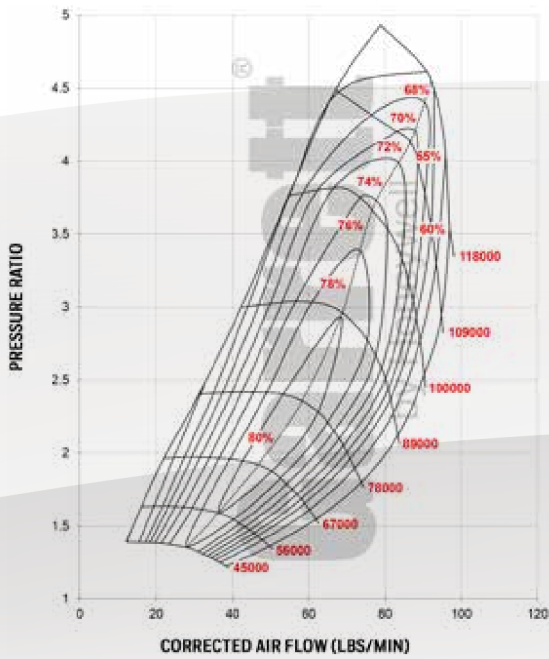
# GTX4294R

Horsepower: 475 - 950  
 Displacement: 2.0L - 7.0L

**Honeywell**



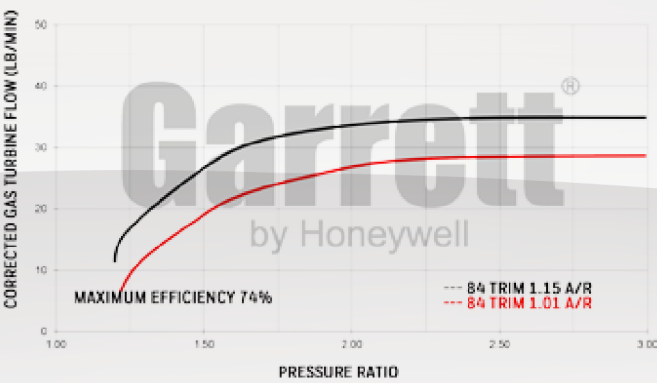
## COMPRESSOR MAP



## FEATURES:

- ◆ FEATURES ORIGINAL GTX COMP WHEEL AERODYNAMICS
- ◆ SUPER CORE AND TURBINE KIT SOLD SEPARATELY
- ◆ AVAILABLE ONLY WITH DIVIDED TURBINE HOUSINGS
- ◆ V-BAND COMPRESSOR OUTLET CONFIGURATION

## EXHAUST FLOW CHART



Super Core Reference Data		Compressor				Turbine		
Super Core PN	CHRA	Inducer	Exducer	Trim	A/R	Inducer	Exducer	Trim
800269-5001S	451888-0043	70mm	94mm	56	0.60	82mm	75mm	84
Notes: Super Core and Turbine Kit Sold Separately		Turbine Kit PN	A/R	Inlet	Outlet	Wastegate	Divided	Trim
		757707-0001	1.01	T4	V-Band	Free Float	Y	84
		757707-0002	1.15	T4	V-Band	Free Float	Y	84

**Garrett**  
 by Honeywell