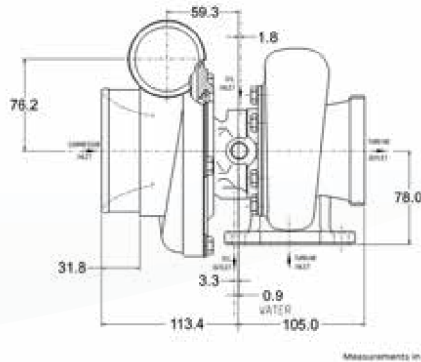


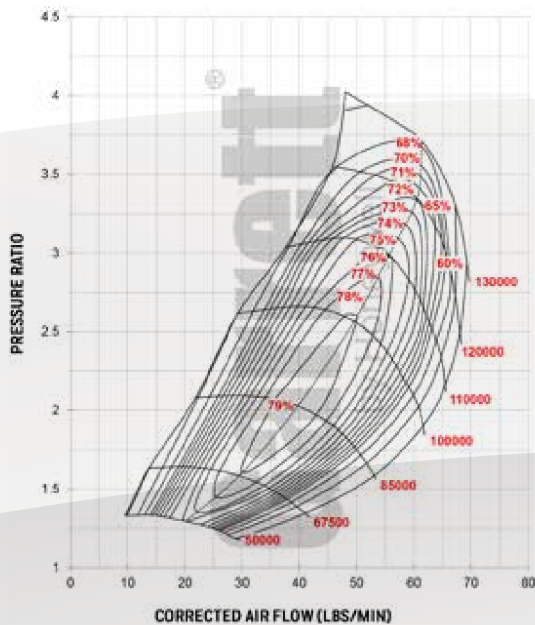
GT3582R

Horsepower: 400 - 675
Displacement: 2.0L - 4.5L

Honeywell



COMPRESSOR MAP

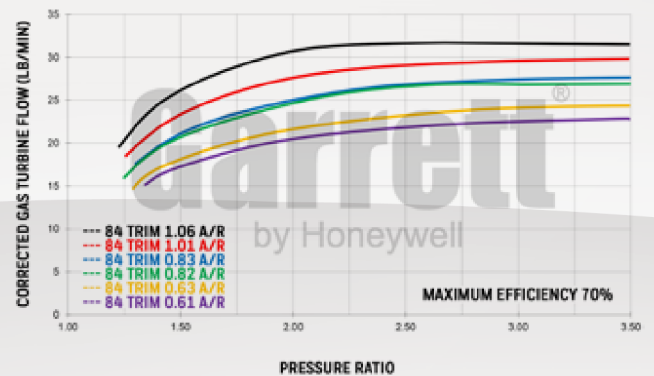


FEATURES:

- ◆ ORIGINAL GT SERIES AERODYNAMICS
- ◆ INTERNALLY WASTEGATED TURBINE HOUSING
- ◆ NON WASTEGATED TURBINE HOUSINGS AVAILABLE
- ◆ BALL BEARING CONFIGURATION WITH WATER COOLED CHRA
- ◆ V-BAND TURBINE HOUSING OPTIONS

*WASTEGATED TURBINE BOLTS & CLAMPS SEE PG. 61

EXHAUST FLOW CHART



Super Core Reference Data		Compressor				Turbine		
Super Core PN	CHRA	Inducer	Exducer	Trim	A/R	Inducer	Exducer	Trim
836033-5002S	836005-0003	61mm	82mm	56	0.70	68mm	62mm	84
Notes: Super Core and Turbine Kit Sold Separately		Turbine Kit PN	A/R	Inlet	Outlet	Wastegate	Divided	Trim
		740902-0012	0.63	T3	V-Band	Free Float	N	84
		740902-0011	0.82	T3	V-Band	Free Float	N	84
		740902-0010	1.06	T3	V-Band	Free Float	N	84
		740902-0018	0.63	T4	V-Band	Free Float	N	84
		740902-0017	0.82	T4	V-Band	Free Float	N	84
		740902-0016	1.06	T4	V-Band	Free Float	N	84
		740902-0033	0.61	V-Band	V-Band	Free Float	N	84
740902-0032	0.83	V-Band	V-Band	Free Float	N	84		
740902-0031	1.01	V-Band	V-Band	Free Float	N	84		
Wastegated Turbine Assembly does not include bolts, clamps, or actuator		Turbine Asbly PN	A/R	Inlet	Outlet	Wastegate	Divided	Trim
		771300-0003	0.63	T2	5 Bolt	Wastegated	N	84
		771300-0002	0.82	T3	5 Bolt	Wastegated	N	84

Garrett
by Honeywell